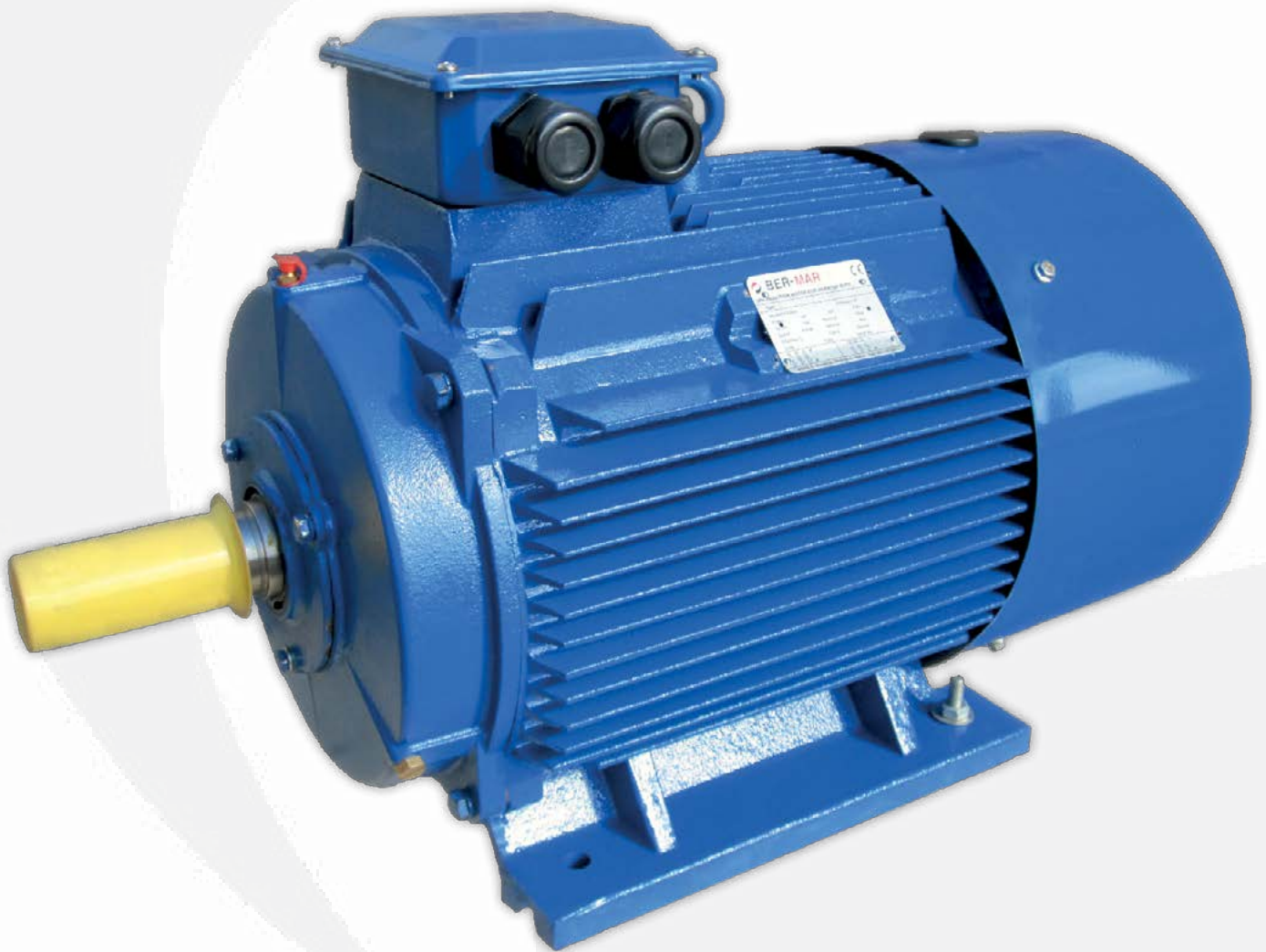


electrical and mechanical data

# Y SERIES

cast iron housing



## 05. Y2 SERIES - Three-Phase Asynchronous single speed motors IE1

### Electrical data (50Hz) Efficiency IE1 - 2 poles

Type	Rated Power (kW)	RPM (r/min)	Rated Current (A) 400V	Eff. (%)	Power Factor (cosφ)	Rated Torque (Nm)	Is/In	Cs/Cn	Cmin/Cn	Cmax/Cn
Y2-131S1-2	5,5	2940	11	86	0.88	18,14	8.0	2.2	2.0	2.2
Y2-132S2-2	7,5	2950	15	87	0.88	24,7	8.0	2.2	2.0	2.2
Y2-160M1-2	11.0	2950	21.3	88	0.88	36,1	8.0	2.0	2.0	2.2
Y2-160M2-2	15.0	2970	28.7	89	0.89	49,26	8.0	2.0	2.0	2.2
Y2-160L-2	18,5	2970	34.6	90	0.90	60,67	8.0	2.0	2.0	2.2
Y2-180M-2	22.0	2970	40.9	90.5	0.90	71,95	8.0	2.0	2.0	2.2
Y2-200L1-2	30.0	2970	55.4	91.2	0.90	98,28	8.0	2.0	2.0	2,2
Y2-200L2-2	37.0	2980	67.7	92	0.90	121	8.0	2.0	2.0	2.2
Y2-225M-2	45.0	2980	82.3	92.3	0.90	147,16	8.0	1.8	2.0	2.2
Y2-250M-2	55.0	2980	101	92.5	0.90	179,25	7.0	1.8	1,9	2.2
Y2-280S-2	75.0	2980	134	93	0.90	244,44	7.0	1.8	1,9	2.2
Y2-280M-2	90.0	2980	160	93.8	0.91	293,32	7.0	1.8	1,9	2.2
Y2-315S-2	110.0	2980	195	94	0.91	357,29	6.8	1.8	1,8	2.2
Y2-315M-2	132.0	2980	233	94.5	0,91	428,74	6.8	1.8	1,8	2.2
Y2-315L1-2	160.0	2980	279	94.6	0.92	518,81	6.8	1.8	1,8	2,2
Y2-315L2-2	200.0	2980	348	94.8	0.92	648,51	6.8	1.8	1,8	2.2
Y2-355M-2	250.0	2980	433	95.3	0.92	810,64	7.0	1.6	1,8	2.2
Y2-355L-2	315.0	2980	544	95.6	0.92	1021,4	7.0	1.6	1,8	2.2

### Electrical data (50Hz) Efficiency IE1 - 4 poles

Type	Rated Power (kW)	RPM (r/min)	Rated Current (A) 400V	Eff. (%)	Power Factor (cosφ)	Rated Torque (Nm)	Is/In	Cs/Cn	Cmin/Cn	Cmax/Cn
Y2-132S-4	5,5	1440	11.8	84,7	0.83	36,99	6,5	2,3	2.0	2,6
Y2-132M-4	7,5	1440	15.5	87	0.84	50,44	7.0	2.0	2.0	2.0
Y2-160M-4	11.0	1460	22.3	88	0.85	73,46	7.0	2.0	2.0	2.2
Y2-160L-4	15.0	1460	30	89	0.85	99,82	7.0	2.0	2.0	2.2
Y2-180M-4	18.5	1470	36.4	90.5	0.85	123,11	7.5	2.2	2.0	2.2
Y2-180L-4	22.0	1470	43.1	91	0.85	144,89	7.5	2.2	2.0	2.2
Y2-200L-4	30.0	1470	57.4	92	0.86	197,57	7.5	2.2	2.0	2.2
Y2-225S-4	37.0	1480	69.9	92.5	0.87	242	7,5	2.2	2.0	2.2
Y2-225M-4	45.0	1480	84.7	92.8	0.87	292,33	7.5	2.2	2.0	2.2
Y2-250M-4	55.0	1480	103	93	0.89	357,29	7.0	2.2	1,9	2.2
Y2-280S-4	75.0	1480	140	93.8	0.86	487,21	7.0	2.2	1,9	2.2
Y2-280M-4	90.0	1490	167	93.8	0.86	584,65	7.0	2.2	1,9	2.2
Y2-315S-4	110.0	1490	201	94.5	0.87	712,15	6.9	2.1	1,8	2.2
Y2-315M-4	132.0	1490	240	94.8	0.87	854,58	6.9	2.1	1,8	2.2
Y2-315L1-4	160.0	1490	287	94.9	0.88	1035,86	6.9	2.1	1,8	2.2
Y2-315L2-4	200.0	1490	359	95	0.88	1294,82	6.9	2.3	1,8	2.2
Y2-355M-4	250.0	1485	443	95.3	0.88	1618,52	6.8	2.3	1,8	2.2
Y2-355L-4	315.0	1485	556	95.6	0.89	2039,34	6.9	2.2	1,8	2.2

### Electrical data (50Hz) Efficiency IE1 - 6 poles

Type	Rated Power (kW)	RPM (r/min)	Rated Current (A) 400V	Eff. (%)	Power Factor (cosφ)	Rated Torque (Nm)	Is/In	Cs/Cn	Cmin/Cn	Cmax/Cn
Y2-132S-6	3.0	960	7.4	81	0.76	30,64	6.5	2.0	1,9	2.2
Y2-132M1-6	4.0	960	9.7	82	0.77	40,64	6.5	2.0	1,9	2.0
Y2-132M2-6	5.5	960	12.9	84	0,77	55,87	6.5	2.0	2.0	2.0
Y2-160M-6	7.5	970	16.5	86	0.80	75,39	6.5	2.0	2.0	2.0
Y2-160L-6	11.0	970	24.1	87.5	0.79	109,99	6.5	2.0	2.0	2.0
Y2-180L-6	15.0	970	31.5	89	0.81	149,99	7.0	2.0	2.0	2.0
Y2-200L1-6	18.5	970	38.5	90	0.81	184,02	7.0	2.0	2.0	2.0
Y2-200L2-6	22.0	970	44.6	90	0.83	218,84	7.0	2.0	2.0	2.0
Y2-225M-6	30.0	980	59.3	91.5	0.84	295,34	7.0	2.0	2.0	2.1
Y2-250M-6	37.0	980	71.0	92.0	0.86	364,25	7.0	2.0	2.0	2.0
Y2-280S-6	45.0	980	86.0	92.5	0.86	440,74	7.0	2.0	2.0	2.0
Y2-280M-6	55.0	980	105	92.8	0.86	536,68	7.0	2.0	1,9	2.0
Y2-315S-6	75.0	990	141	93.5	0.86	734,56	7.0	2.0	1,9	2.0
Y2-315M-6	90.0	990	169	93.8	0.86	881,47	7.0	2.0	1,8	2.0
Y2-315L1-6	110.0	990	206	94.0	0.86	1077,36	6.7	2.0	1,8	2.0
Y2-315L2-6	132.0	990	244	94.2	0.87	1292,83	6.7	2.0	1,8	2.0
Y2-355M1-6	160.0	990	292	94.5	0.88	1567,06	6.7	1.9	1,8	2.0
Y2-355M2-6	200.0	990	365	94.7	0.88	1958,83	6.7	1.9	1,8	2.0
Y2-355L-6	250.0	990	455	94.7	0.88	2448,54	6.7	1.9	1,8	2.0

### Electrical data (50Hz) Efficiency IE1 - 8 poles

Type	Rated Power (kW)	RPM (r/min)	Rated Current (A) 400V	Eff. (%)	Power Factor (cosφ)	Rated Torque (Nm)	Is/In	Cs/Cn	Cmin/Cn	Cmax/Cn
Y2-132S-8	2,2	710	6.0	78	0,71	29,8	6.0	2.0	1,6	2.0
Y2-132M-8	3.0	710	7,9	79	0,73	40,4	6.0	2.0	1,6	2.0
Y2-160M1-8	4.0	720	10.2	81	0,73	53,8	6.0	2.0	1,6	2.0
Y2-160M2-8	5,5	720	13.6	83	0.74	73,7	6.0	2.0	1,8	2.0
Y2-160L-8	7,5	720	17.7	85.5	0,75	100	6.0	2.0	1,8	2.0
Y2-180L-8	11.0	730	25.1	87.5	0.76	144	6.5	2.0	1,8	2.0
Y2-200L-8	15.0	730	34.0	88	0.76	196	6.5	2.0	1,9	2.0
Y2-225S-8	18,5	740	40.6	90.0	0.76	242	6.6	1.9	1,9	2.0
Y2-225M-8	22.0	740	47.4	90.5	0.78	288	6.6	1.9	1,9	2.0
Y2-250M-8	30.0	740	64.0	91.0	0.79	390	6.6	1.9	2.0	2.0
Y2-280S-8	37.0	740	78.0	91.5	0.79	481	6.6	1.9	1,8	2.0
Y2-280M-8	45.0	740	94.0	92.0	0.79	585	6.6	1.9	1,8	2.0
Y2-315S-8	55.0	740	111.0	92.8	0.81	710	6.6	1.8	1,8	2.0
Y2-315M-8	75.0	740	151.0	93.0	0,81	968	6.6	1,8	1,6	2.0
Y2-315L1-8	90.0	740	151.0	93.8	0.82	1162	6.6	1,8	1,6	2.0
Y2-315L2-8	110.0	740	217.0	94	0.82	1420	6.4	1,8	1,4	2.0
Y2-355M1-8	132.0	740	261.0	93.7	0.82	1704	6.4	1.8	1,4	2.0
Y2-355M2-8	160.0	740	313.0	94.2	0.82	1987	6.4	1.8	1,4	2.0
Y2-355L-8	200.0	740	388.0	94.5	0.83	2134	6.4	1,8	1,4	2,4

## 06. Y2HE SERIES - Three-Phase Asynchronous single speed motors IE2

### Electrical data (50Hz) Efficiency IE2 - 2 poles

Type	Rated Power (kW)	RPM (r/min)	Rated Current (A) 400V	Eff. (%)	Power Factor (cosφ)	Rated Torque (Nm)	Is/In	Cs/Cn	Cmin/Cn	Cmax/Cn
Y2HE-132S1-2	5,5	2937	10.6	87.0	0.86	17.88	7.50	2,7	2	3.5
Y2HE-132S2-2	7,5	2940	13.9	88.1	0.88	24.36	7.50	2.4	2	3.3
Y2HE-160M1-2	11	2930	19.9	89.4	0.89	35.85	7.60	2,2	2,1	2.9
Y2HE-160M2-2	15	2930	26.9	90.3	0.89	48.89	7.60	2,3	2,1	3.0
Y2HE-160L-2	18,5	2937	33.0	90.9	0.89	60.15	7.40	2.3	2,1	3.1
Y2HE-180M-2	22	2940	39.5	91.3	0.88	71.46	7.80	2.8	2	3.2
Y2HE-200L1-2	30	2950	53.4	92.0	0.88	97.12	7.80	2.6	2	3.0
Y2HE-200L2-2	37	2950	64.8	92.5	0.89	119.78	7.70	2,3	2	2.6
Y2HE-225M-2	45	2960	78.4	92.9	0.89	145.19	7.50	2.4	2	2.6
Y2HE-250M-2	55	2965	94.5	93.2	0.90	177.15	7.10	2.3	1,9	2.8
Y2HE-280S-2	75	2970	128.0	93.8	0.90	241.16	7.40	2.5	1,9	2.8
Y2HE-280M-2	90	2970	152.0	94,1	0.91	289.39	7.60	2.8	1,9	2.8
Y2HE-315S-2	110	2975	185.0	94.3	0.91	353.11	6.90	2.4	1,8	2.8
Y2HE-315M-2	132	2975	221.0	94.6	0.91	423.73	7.10	2.6	1,8	2.9
Y2HE-315L1-2	160	2975	265.0	94.8	0.92	513.61	7.10	2.5	1,8	2.9
Y2HE-315L2-2	200	2975	330.0	95.0	0.92	642.02	6.90	2.5	1,8	2.8
Y2HE-355M-2	250	2980	412.0	95.0	0.92	801.17	7.00	2.5	1,8	2.8
Y2HE-355L-2	315	2980	520.0	95.0	0.92	1009.48	7.00	2.5	1,8	2,9

### Electrical data (50Hz) Efficiency IE2 - 4 poles

Type	Rated Power (kW)	RPM (r/min)	Rated Current (A) 400V	Eff. (%)	Power Factor (cosφ)	Rated Torque (Nm)	Is/In	Cs/Cn	Cmin/Cn	Cmax/Cn
Y2HE-132S-4	5,5	1455	10.9	87.7	0.83	36.1	6.4	2.2	2.0	2.8
Y2HE-132M-4	7,5	1455	14.5	88.7	0.84	49.2	7.0	2.4	2.0	3.0
Y2HE-160M-4	11	1460	21.0	89.8	0.84	71.9	6.9	2,5	2,1	2.9
Y2HE-160L-4	15	1460	28.1	90.6	0.85	98.1	7.5	2.5	2,1	3.0
Y2HE-180M-4	18,5	1470	34.0	91,2	0.86	120.2	7,8	2.6	2,1	3.1
Y2HE-180L-4	22	1470	38,95	91,6	0.89	143,89	7,5	2,3	2.0	3.0
Y2HE-200L-4	30	1470	54.4	92.3	0.86	194.9	7.1	2,4	2	2.9
Y2HE-225S-4	37	1480	66.2	92.7	0.87	238.8	7.5	2.5	2	2,7
Y2HE-225M-4	45	1480	80.1	93.1	0.87	290.4	7.6	2.5	2	2,8
Y2HE-250M-4	55	1480	97.5	93.5	0.87	354.9	7.3	2.6	1,9	2,7
Y2HE-280S-4	75	1480	132.0	94.0	0.87	484.0	7.6	2.7	1,9	2,7
Y2HE-280M-4	90	1480	158.0	94.2	0.87	580,7	7.5	2.7	1,9	2,7
Y2HE-315S-4	110	1485	191.0	94,5	0.88	707.4	7.1	2.7	1,8	2.9
Y2HE-315M-4	132	1485	228.0	94,7	0.88	880.9	7.3	2.7	1,8	2.9
Y2HE-315L1-4	160	1485	273.0	94,9	0.89	1029.0	7.4	3.0	1,8	3.0
Y2HE-315L2-4	200	1485	341.0	95,1	0.89	1286.0	7.6	3.0	1,8	3.0
Y2HE-355M-4	250	1490	421.0	95,1	0.90	1602.0	7.5	3.0	1,8	3.0
Y2HE-355L-4	315	1490	531.0	95,1	0.90	2019.0	7.4	2.6	1,8	2.8

## Electrical data (50Hz) Efficiency IE2 - 6 poles

Type	Rated Power (kW)	RPM (r/min)	Rated Current (A) 400V	Eff. (%)	Power Factor (cosφ)	Rated Torque (Nm)	Is/In	Cs/Cn	Cmin/Cn	Cmax/Cn
Y2HE-132S-6	3.0	964	6.83	83.3	0.76	29.7	4.5	1.8	1.7	2.4
Y2HE-132M1-6	4.0	965	8.96	84.6	0.76	39.6	5.0	2.3	2	2.7
Y2HE-132M2-6	5,5	965	12.0	96.0	0.77	54.4	5.5	1.9	1,9	2,8
Y2HE-160M-6	7,5	970	15.9	87.2	0.78	73.8	6.5	2.0	1,9	3.0
Y2HE-160L-6	11	970	22.9	88.7	0.78	108.3	7.5	2.4	2	3.3
Y2H2-180L-6	15	975	29.8	0.81	0.81	146.9	6.4	2.0	2,1	2.7
Y2HE-200L1-6	18,5	980	36.4	90.4	0.81	180.3	7.0	2.3	2,1	3.0
Y2H2-200L2-6	22	980	42.0	90.9	0.83	241.4	7.0	2.3	1,9	2.8
Y2HE-225M-6	30	980	56.2	91,7	0.84	292.3	6.5	2,2	1,9	2,7
Y2HE-250M-6	37	980	67.3	92,2	0.86	360.6	6.9	2.5	2,1	2,7
Y2HE-280S-6	45	980	81.5	92.7	0.86	438.5	7.0	2.2	2	2.4
Y2HE-280M-6	55	980	99.2	93,1	0.86	536.0	7.1	2.4	1,9	2.5
Y2HE-315S-6	75	985	134.0	93,7	0.86	727.2	7.3	2.8	1,9	3.0
Y2HE-315M-6	90	985	160.0	94.0	0.86	872.6	7.1	2.7	1,8	2.9
Y2HE-315L1-6	110	985	196.0	94.3	0.86	1066.0	7.4	2.9	1,8	2.9
Y2HE-315L2-6	132	985	231.0	94.6	0.87	1280.0	7.6	3.0	1,8	3.1
Y2HE-355M1-6	160	990	277.0	94.8	0.88	1543.0	7.6	3.1	1,8	3.1
Y2HE-355M2-6	200	990	345.0	95.0	0.88	1929.0	7,8	3.0	1,8	3.0
Y2HE-355L-6	250	990	432.0	95.0	0.88	2412.0	7.7	3.1	1,8	3.0

## 07. Y3HE SERIES - Three-Phase Asynchronous single speed motors IE3

### Electrical data (50Hz) Efficiency IE3 - 2 poles

Type	Rated Power (kW)	RPM (r/min)	Rated Current (A) 400V	Eff. (%)	Power Factor (cos $\phi$ )	Rated Torque (Nm)	Is/In	Cs/Cn	Cmin/Cn	Cmax/Cn
Y3HE-132S1-2	5,5	2930	10.1	89.2	0.88	17.9	7.5	2.1	2.0	2.5
Y3HE-132S2-2	7,5	2930	13.7	90.1	0.88	24.4	7.3	2.0	2.0	3.5
Y3HE-160M1-2	11	2945	19.3	91.2	0.90	35.7	7.3	2.3	2.1	2.6
Y3HE-160M2-2	15	2945	25.9	91,9	0,91	48.6	7.0	1.9	1.8	2.3
Y3HE-160L-2	18,5	2940	32.4	92..4	0.89	60.1	7.0	1.6	1.5	2.5
Y3HE-180M-2	22	2955	38.1	92.7	0.90	71.1	7.0	1.6	1.5	2.5
Y3HE-200L1-2	30	2960	52.1	93.3	0.89	96.8	7.0	1.5	1.3	2.5
Y3HE-200L2-2	37	2960	62.6	93.7	0.91	119.0	7.3	1.5	1.3	2.5
Y3HE-225M-2	45	2965	78.4	94.0	0.88	145.0	6.8	1.6	1.5	2.5
Y3HE-250M-2	55	2970	94.6	94.3	0.89	176.9	7.2	1.6	1.5	2.6
Y3HE-280S-2	75	2975	127.0	94,7	0.91	240.8	7.2	1.2	1.0	2.0
Y3HE-280M-2	90	2975	153.0	95.0	0.89	288.9	7.4	1.2	1.0	2.0
Y3HE-315S-2	110	2978	185.0	95.2	0.90	352.8	7.3	1.2	1.0	2,3
Y3HE-315M-2	132	2978	222.0	95.4	0.90	432.3	7.3	1.3	1.0	2.1
Y3HE-315L1-2	160	2980	268.0	95.6	0.90	512.8	6.8	1.2	1.0	2.0
Y3HE-315L2-2	200	2980	331.0	95.8	0.91	640.9	7.8	1.1	1.0	2.0
Y3HE-355M-2	250	2982	409.0	95.8	0.92	800.6	7.9	1.1	1.0	2.0
Y3HE-355L-2	315	2982	519.0	95.8	0.92	1009.0	7.9	1.1	1.0	2.0

### Electrical data (50Hz) Efficiency IE3 - 4 poles

Type	Rated Power (kW)	RPM (r/min)	Rated Current (A) 400V	Eff. (%)	Power Factor (cos $\phi$ )	Rated Torque (Nm)	Is/In	Cs/Cn	Cmin/Cn	Cmax/Cn
Y3HE-132S-4	5,5	1460	11.1	89.6	0.80	36.0	7.1	2.7	2	3.5
Y3HE-132M-4	7,5	1460	14.6	90.4	0.82	49.1	7.2	2.7	2	3.8
Y3HE-160M-4	11.0	1465	21.2	91,4	0.82	71.7	6.8	1.9	1.8	2.3
Y3HE-160L-4	15.0	1465	28.6	92.1	0.82	97.8	6.8	1.8	1.7	2.4
Y3HE-180M-4	18.5	1470	34.3	92.6	0.84	120.2	6.9	1.8	1.7	2.5
Y3HE-180L-4	22.0	1470	40.2	93.0	0.85	142.9	7.0	1.8	1.7	2.5
Y3HE-200L-4	30.0	1475	53.7	93.6	0.86	194.2	6.8	1.8	1.7	2.3
Y3HE-225S-4	37.0	1485	66.1	93.9	0.86	237.9	7.1	1.7	1.6	2.3
Y3HE-225M-4	45.0	1485	79.1	94.2	0.87	289.4	7.1	1.8	1.7	2.4
Y3HE-250M-4	55.0	1485	96.2	94.6	0.87	353.7	7.0	1.8	1.7	2.4
Y3HE-280S-4	75.0	1486	131.0	95.0	0.87	482.0	6.9	1.8	1.7	2.2
Y3HE-280M-4	90.0	1486	157.0	95.2	0.87	578.4	7.2	1.6	1.5	2.1
Y3HE-315S-4	110.0	1488	189.0	95.4	0.88	706.0	7.2	1.6	1.5	2.1
Y3HE-315M-4	132.0	1488	226.0	95.6	0.88	847.2	7.2	1.5	1.4	2.0
Y3HE-315L1-4	160.0	1488	274.0	95,8	0.88	1027.0	6.8	1.5	1.4	2.0
Y3HE-315L2-4	200.0	1490	342.0	96.0	0.88	1282.0	7.2	1.6	1.5	2.1
Y3HE-355M-4	250.0	1490	427.0	96.0	0.88	1603.0	7.3	1.4	1.3	2.1
Y3HE-355L-4	315.0	1490	538.0	96.0	0.88	2019.0	7.4	1.4	1.3	2.0

## Electrical data (50Hz) Efficiency IE3 - 6 poles

Type	Rated Power (kW)	RPM (r/min)	Rated Current (A) 400V	Eff. (%)	Power Factor (cosφ)	Rated Torque (Nm)	Is/In	Cs/Cn	Cmin/Cn	Cmax/Cn
Y3HE-132S-6	3.0	968	7.11	85.6	0.71	29.6	5.5	2.0	1.9	3.1
Y3HE-132M1-6	4.0	968	9.36	86.8	0.71	39.5	5.7	2.1	2.0	2.6
Y3HE-132M2-6	5,5	968	12.0	88	0.75	54.3	6.0	1.7	1.5	2.6
Y3HE-160M-6	7,5	970	15.7	89.1	0.77	73.8	5.9	1.7	1.5	2.5
Y3HE-160L-6	11.0	970	22.2	90.3	0.79	108.3	6.0	1.5	1.3	2.4
Y3HE-180L-6	15.0	978	29.3	91.2	0.81	146.5	6.0	1.5	1.3	2.4
Y3HE-200L1-6	18,5	980	35.9	91.7	0.81	180.3	6.5	1.6	1.4	2.4
Y3HE-200L2-6	22.0	980	41.4	92.2	0.83	214.4	6.0	1.7	1.5	2.3
Y3HE-225M-6	30.0	980	55.4	92.9	0.84	292.3	6.5	1.9	1.7	2.2
Y3HE-250M-6	37.0	985	68.1	93.3	0.84	385.7	6.8	1.9	1.7	2.2
Y3HE-280S-6	45.0	985	81.5	93.7	0.85	436.3	6.5	1.8	1.6	2.2
Y3HE-280M-6	55.0	985	99.1	94.1	0.85	533.2	6.0	1.8	1.6	2.2
Y3HE-315S-6	75.0	985	135.0	94.6	0.85	727.2	6.5	1.6	1.4	2.0
Y3HE-315M-6	90.0	988	161.0	94.9	0.85	869.9	6.8	1.6	1.4	2.0
Y3HE-315L1-6	110.0	988	194.0	95.1	0.86	1063.0	6.8	1.5	1.3	2.0
Y3HE-315L2-6	132.0	988	232.0	95.4	0.86	232.0	6.8	1.4	1.2	2.1
Y3HE-355M1-6	160.0	990	281.0	95.6	0.86	1543.0	7.1	1.4	1.2	2.0
Y3HE-355M2-6	200.0	990	342.0	95,8	0.88	1929.0	7.2	1.3	1.1	2.0
Y3HE-355L-6	250.0	990	428.0	95.8	0.88	2412.0	7.2	1.3	1.1	2.0

## 08. Y SERIES - IE1 WEIGHT

Type	kW	Weight (kg)			
		B3	B14	B5	B35

132S1-2	5,50	64,0	65,0	65.7	69.3
132S2-2	7,50	68	69,0	69.7	73.3
160M1-2	11,0	106	107,0	108,0	116,0
160M2-2	15,0	107,0	109,0	110,0	120,0
160L-2	18,50	117,0	120,0	121,0	127,0
180M-2	22,0	152,0		153,0	158,0
200L1-2	30,0	220,0		227,0	231,0
200L2-2	37,0	230,0		237,0	241,0
225M1-2	45,0	280,0		288,0	296,0
250M1-2	55,0	366,0		373,0	389,0
280S-2	75,0	475,0		479,0	510,0
280M-2	90,0	530,0		526,0	557,0
315S-2	110,0	850,0		828.2	880,0
315M-2	132,0	930,0		913,0	968,0
315L1-2	160,0	1000		980,0	1030,0
315L2-2	200,0	1080,0		1060,0	1100,0
355M2-2	250,0	1650,0		1640,0	1702,0
355L2-2	315,0	1750,0		1740,0	1802,0

Type	kW	Weight (kg)			
		B3	B14	B5	B35

132S-4	5,50	64,00	64,0	65.7	69.3
132M-4	7,50	77,0	76,0	77.5	82.3
160M-4	11,0	106,0	109,0	110,0	116,0
160L-4	15,0	126,0	129,0	130,0	136,0
180M-4	18,50	154,0		156,0	160,0
180L-4	22,0	175,0		177,0	180,0
200L-4	30,0	235,0		242,0	246,0
225S-4	37,0	295,0		303,0	315,0
225M1-4	45,0	306,0		314,0	326,0
250M1-4	55,0	375,0		382,0	405,0
280S-4	75,0	533,0		537,0	560,0
280M-4	90,0	575,0		571,0	600,0
315S-4	110,0	820,0		798,0	850,0
315M-4	132,0	960,0		943,0	998,0
315L1-4	160,0	1000,0		985,0	1022,0
315L2-4	200,0	1080,0		1061,0	1103,0
355M2-4	250,0	1580,0		1570,0	1632,0
355L2-4	315,0	1730,0		1720,0	1782,0

Type	kW	Weight (kg)			
		B3	B14	B5	B35

132S-6	3,0	60,0	60,0	61.7	65.3
132M1-6	4,0	70,0	69,0	70,5	75.3
132M2-6	5,5	80,0	79,0	80,5	85.3
160M-6	7,5	114,0	117,0	118,0	121,0
160L-6	11,0	121,0	122,0	123,0	126,0
180L-6	15,0	162,0		165,0	168,0
200L1-6	18,5	209,0		216,0	224,0
200L2-6	22,0	226,0		233,0	238,0
225M-6	30,0	273,0		281,0	295,0
250M-6	37,0	360,0		367,0	387,0
280S-6	45,0	494,0		498,0	520,0
280M-6	55,0	517,0		513,0	540,0
315S-6	75,0	770,0		748,0	800,0
315M-6	90,0	840,0		823,0	878,0
315L1-6	110,0	990,0		968,0	1012,0
315L2-6	132,0	1040,0		1028,0	1063,0
355M1-6	160,0	1470,0		1460,0	1522,0
355M2-6	200,0	1640,0		1630,0	1692,0
355L2-6	250,0	1740,0		1730,0	1792,0

Type	kW	Weight (kg)			
		B3	B14	B5	B35

132S-8	2,2	60,0	60,0	61.7	65.3
132M-8	3,0	76,0	75,0	76.5	81.3
160M1-8	4,0	112,0	115,0	116,0	120,0
160M2-8	5,5	113,0	114,0	115,0	118,0
160L-8	7,5	140,0	141,0	142,0	146,0
180L-8	11,0	166,0		169,0	172,0
200L-8	15,0	214,0		221,0	226,0
225S-8	18,5	255,0		263,0	274,0
225M-8	22,0	284,0		292,0	304,0
250M-8	30,0	380,0		387,0	407,0
280S-8	37,0	475,0		479,0	510,0
280M-8	45,0	520,0		516,0	545,0
315S-8	55,0	900,0		878,0	930,0
315M-8	75,0	1060		1037,0	1086,0
315L1-8	90,0	1130		1097,0	1154,0
315L2-8	110,0	1500,0		1490,0	1552,0
355M1-8	132,0	1600,0		1590,0	1652,0
355M2-8	160,0	1864		1877	1902
355L2-8	200,0	1700,0		1690,0	1752,0



## 09. Y2HE SERIES - IE2 WEIGHT

Type	kW	Weight (kg)			
		B3	B14	B5	B35

132S1-2	5,5	73,0	75,0	76,0	78,0
132S2-2	7,5	81,0	83,0	84,0	86,0
160M1-2	11,0	108,0	110,0	111,0	112,0
160M2-2	15,0	115,0	122,0	123,0	130,0
160L-2	18,5	135,0	145,0	146,0	140,0
180M-2	22,0	183,0		186,0	188,0
200L1-2	30,0	227,0		229,0	239,0
200L2-2	37,0	246,0		248,0	254,0
225M-2	45,0	297,0		300,0	310,0
250M-2	55,0	379,0		391,0	401,0
280S-2	75,0	519,0		539,0	549,0
280M-2	90,0	588,0		608,0	618,0
315S-2	110,0	948,0		968,0	978,0
315M-2	132,0	1009,0		1029,0	1039,0
315L1-2	160,0	1111,0		1131,0	1141,0
315L2-2	200,0	1142,0		1162,0	1172,0
355M2-2	250,0	1938,0		1968,0	1978,0
355L2-2	315,0	2346,0		2366,0	2376,0

Type	kW	Weight (kg)			
		B3	B14	B5	B35

132S-4	5,50	78,0	80,0	81,0	86,0
132M-4	7,50	88,0	90,0	91,0	102,0
160M-4	11,0	110,0	115,0	116,0	125,0
160L-4	15,0	132,0	137,0	138,0	145,0
180M-4	18,50	172,0		175,0	177,0
180L-4	22,0	180,0		190,0	200,0
200L-4	30,0	247,0		248,0	261,0
225S-4	37,0	297,0		300,0	318,0
225M-4	45,0	340,0		345,0	366,0
250M-4	55,0	413,0		425,0	443,0
280S-4	75,0	542,0		562,0	581,0
280M-4	90,0	632,0		652,0	674,0
315S-4	110,0	950,0		970,0	996,0
315M-4	132,0	1037,0		1057,0	1077,0
315L1-4	160,0	1107,0		1127,0	1147,0
315L2-4	200,0	1225,0		1245,0	1265,0
355M2-4	250,0	1670,0		1690,0	1710,0
355L-4	315,0	1940,0		1960,0	1990,0

Type	kW	Weight (kg)			
		B3	B14	B5	B35

132S-6	3,0	76,0	78,0	79,0	82,0
132M1-6	4,0	83,0	85,0	86,0	90,0
132M2-6	5,5	95,0	97,0	98,0	105,0
160M-6	7,5	111,0	113,0	114,0	134,0
160L-6	11,0	127,0	132,0	133,0	153,0
180L-6	15,0	183,0		193,0	213,0
200L1-6	18,5	220,0		215,0	235,0
200L2-6	22,0	240,0		235,0	255,0
225M-6	30,0	275,0		275,0	295,0
250M-6	37,0	385,0		397,0	417,0
280S-6	45,0	482,0		502,0	522,0
280M-6	55,0	559,0		579,0	599,0
315S-6	75,0	933,0		953,0	973,0
315M-6	90,0	1013,0		1033,0	1053,0
315L1-6	110,0	1086,0		1106,0	1126,0
315L2-6	132,0	1208,0		1228,0	1248,0
355M1-6	160,0	1581,0		1601,0	1621,0
355M2-6	200,0	1632,0		1652,0	1672,0
355L2-6	250,0	1734,0		1754,0	1774,0

## 10. Y3HE SERIES - IE3 WEIGHT

Type	kW	Weight (kg)			
		B3	B14	B5	B35

132S1-2	5,5	76,0	78,0	79,0	84,0
132S2-2	7,5	84,0	80,0	81,0	92,0
160M1-2	11,0	128,0	132,0	133,0	143,0
160M2-2	15,0	140,0	145,0	146,0	155,0
160L-2	18,5	155,0	160,0	161,0	170,0
180M-2	22,0	192,0		195,0	197,0
200L1-2	30,0	246,0		248,0	258,0
200L2-2	37,0	267,0		272,0	278,0
225M-2	45,0	353,0		356,0	366,0
250M-2	55,0	408,0		420,0	430,0
280S-2	75,0	548,0		568,0	578,0
280M-2	90,0	596,0		616,0	626,0
315S-2	110,0	956,0		976,0	986,0
315M-2	132,0	1017,0		1037,0	1047,0
315L1-2	160,0	1019,0		1039,0	1049,0
315L2-2	200,0	1150,0		1170,0	1180,0
355M2-2	250,0	1948,0		1978,0	1988,0
355L2-2	315,0	2356,0		2376,0	2386,0

Type	kW	Weight (kg)			
		B3	B14	B5	B35

132S-4	5,5	81,0	83,0	84,0	89,0
132M-4	7,5	91,0	93,0	94,0	105,0
160M-4	11,0	141,0	145,0	147,0	156,0
160L-4	15,0	151,0	156,0	157,0	164,0
180M-4	18,5	190,0		193,0	195,0
180L-4	22,0	205,0		215,0	225,0
200L-4	30,0	275,0		276,0	289,0
225S-4	37,0	315,0		318,0	336,0
225M-4	45,0	345,0		350,0	371,0
250M-4	55,0	421,0		433,0	451,0
280S-4	75,0	538,0		558,0	577,0
280M-4	90,0	638,0		658,0	680,0
315S-4	110,0	958,0		978,0	1004,0
315M-4	132,0	1045,0		1067,0	1087,0
315L1-4	160,0	1115,0		1135,0	1155,0
315L2-4	200,0	1233,0		1253,0	1273,0
355M2-4	250,0	1744,0		1764,0	1774,0
355L2-4	315,0	1950,0		1970,0	1990,0

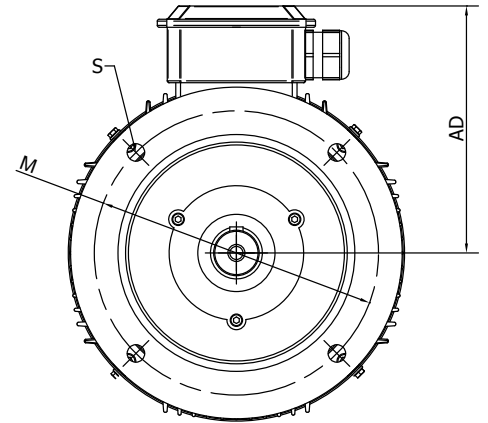
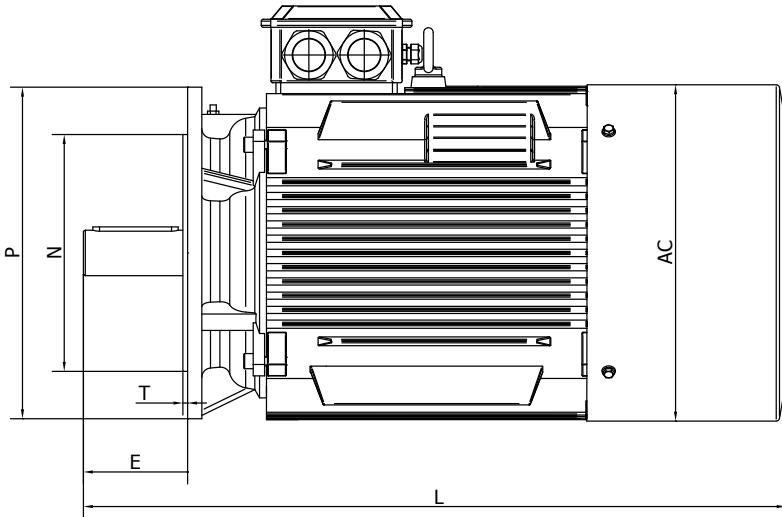
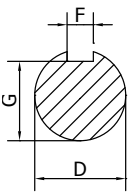
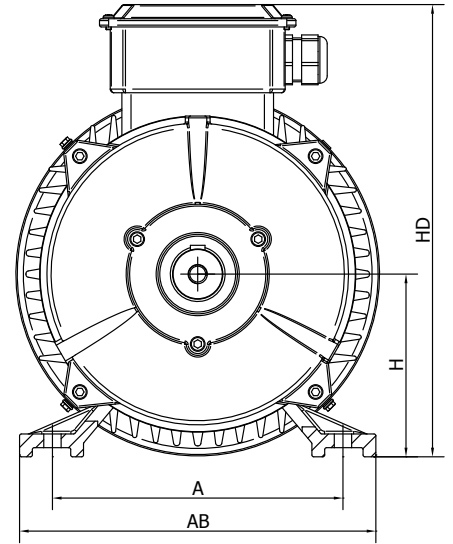
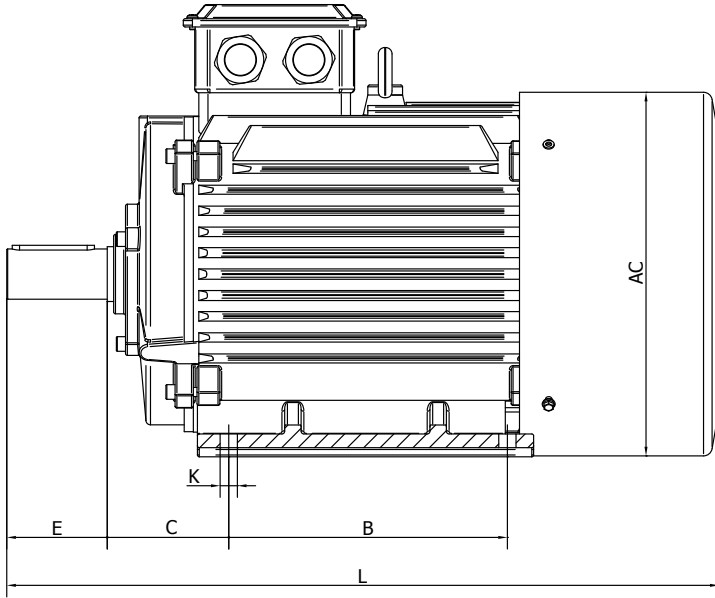
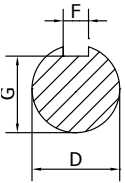
Type	kW	Weight (kg)			
		B3	B14	B5	B35

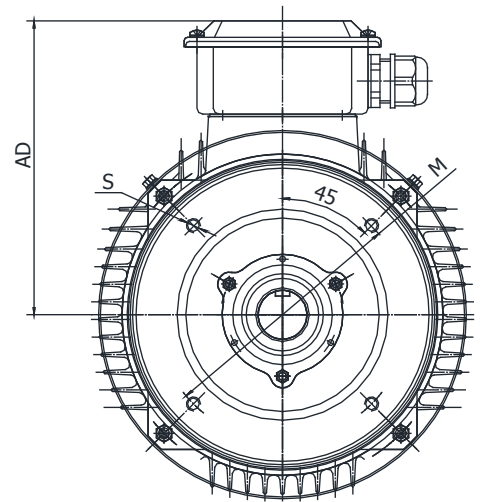
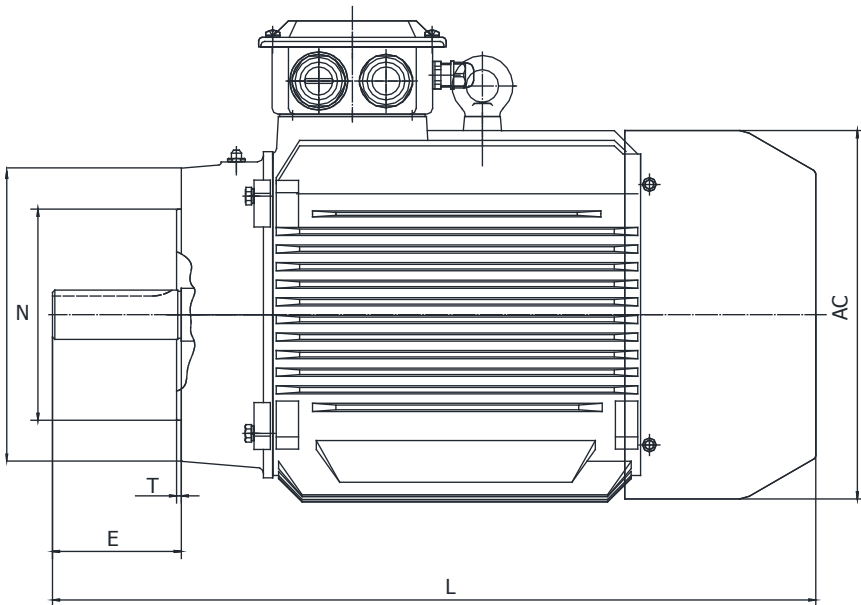
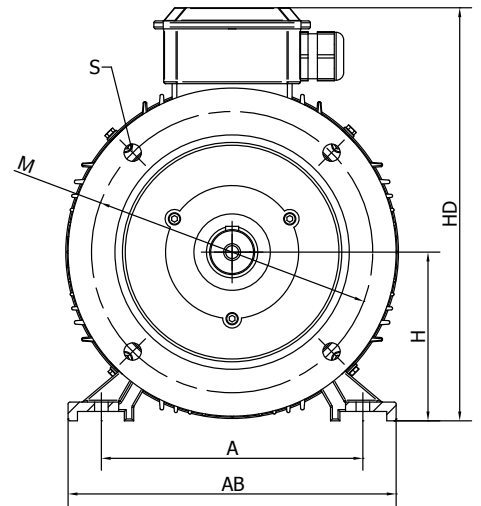
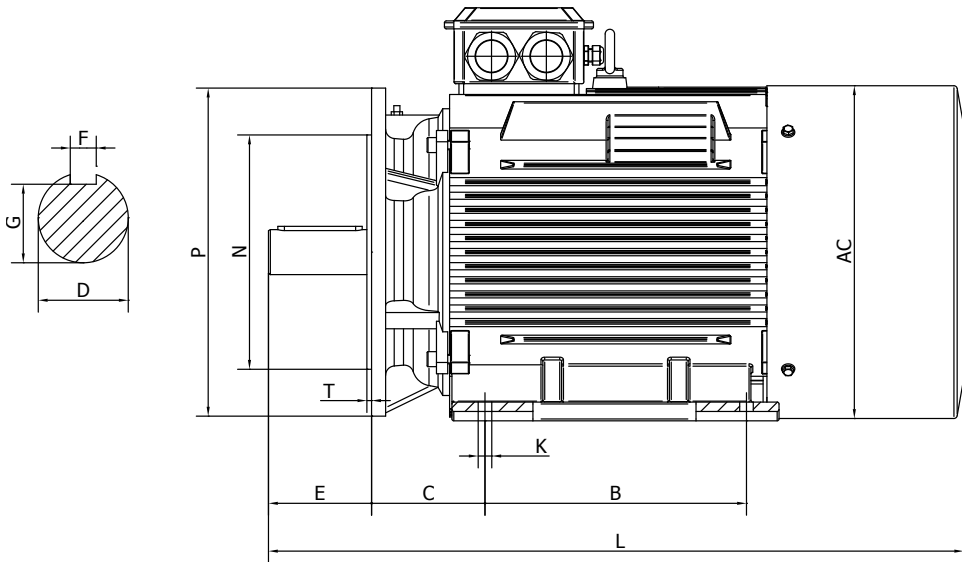
132S-6	3,0	79,0	81,0	82,0	85,0
132M1-6	4,0	86,0	88,0	89,0	92,0
132M2-6	5,5	98,0	101,0	102,0	109,0
160M-6	7,5	154,0	156,0	157,0	187,0
160L-6	11,0	170,0	175,0	176,0	196,0
180L-6	15,0	203,0		213,0	233,0
200L1-6	18,5	241,0		236,0	256,0
200L2-6	22,0	256,0		251,0	271,0
225M-6	30,0	322,0		322,0	342,0
250M-6	37,0	405,0		417,0	437,0
280S-6	45,0	521,0		541,0	561,0
280M-6	55,0	570,0		590,0	610,0
315S-6	75,0	941,0		961,0	981,0
315M-6	90,0	1021,0		1041,0	1061,0
315L1-6	110,0	1094,0		1114,0	1134,0
315L2-6	132,0	1216,0		1236,0	1256,0
355M1-6	160,0	1591,0		1611,0	1631,0
355M2-6	200,0	1642,0		1662,0	1682,0
355L2-6	250,0	1744,0		1764,0	1784,0

# 11. Y SERIES - Overall & installation dimensions

Measure in mm

A-A (1 : 4)



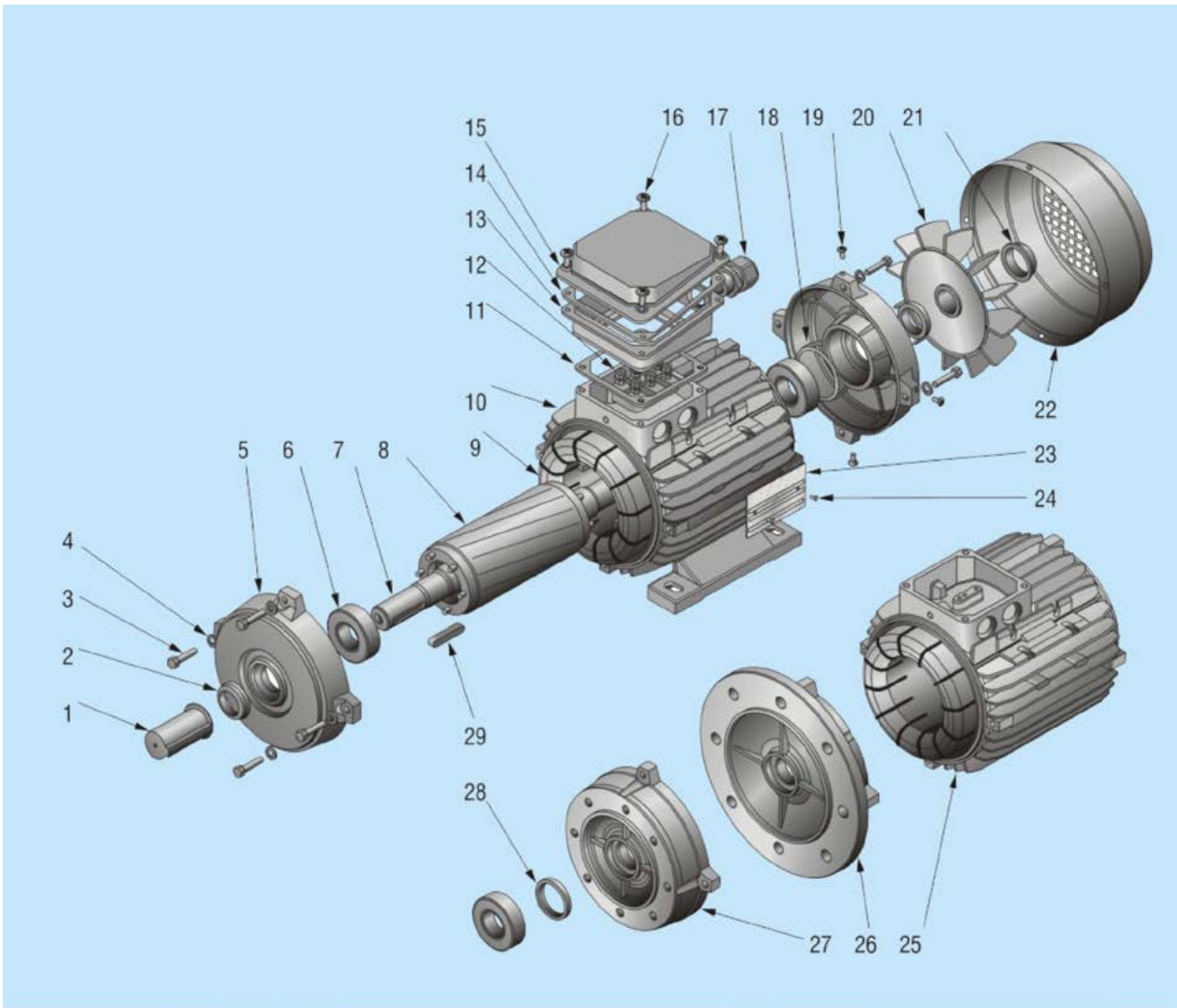


Type	B3				Shaft					General					
	H	A	B	C	D	E	F	G	K	AB	AD	HD	AC	L	
132S/M	132	216	140/178	89	Ø38	80	10	33	Ø12	255	210	345	259	470/510	
160M/L	160	254	210/254	108	Ø42	110	12	37	Ø15	314	255	420	313	615/670	
180M/L	180	279	241/279	121	Ø48	110	14	42,5	Ø19	348	280	455	360	700/740	
200L	200	318	305	133	Ø55	110	16	49	Ø19	388	305	505	399	770	
225S	4,8	225	356	286	149	Ø60	140	18	53	Ø19	436	335	560	465	820
225M	2	225	356	311	149	Ø55	110	16	49	Ø19	436	335	560	465	845
	4,6,8	225	356	311	149	Ø60	140	18	53	Ø24	436	335	560	465	845
250M	2	250	406	349	168	Ø60	140	18	53	Ø24	484	370	615	506	918
	4,6,8	250	406	349	168	Ø65	140	18	58	Ø24	484	370	615	506	918
280S/M	2	280	457	368/419	190	Ø65	140	18	58	Ø24	557	410	680	559	985/1035
	4,6,8	280	457	368/419	190	Ø75	140	20	67,5	Ø28	557	410	680	559	985/1035
315S	2	315	508	406	216	Ø65	140	18	58	Ø28	630	630	845	680	1215
	4,6,8	315	508	406	216	Ø80	170	22	71	Ø28	630	630	845	680	1215
315M/L	2	315	508	457/508	216	Ø65	140	18	58	Ø28	630	630	845	680	1325
	4,6,8	315	508	457/508	216	Ø80	170	22	71	Ø28	630	630	845	680	1325
355M/L	2	355	610	560/630	254	Ø75	140	20	67,5	Ø28	740	655	1010	820	1530
	4,6,8	355	610	560/630	254	Ø95	210	28	90	Ø28	740	655	1010	820	1530

Type	B5					B14				
	N	M	P	S	T	N	M	P	S	T

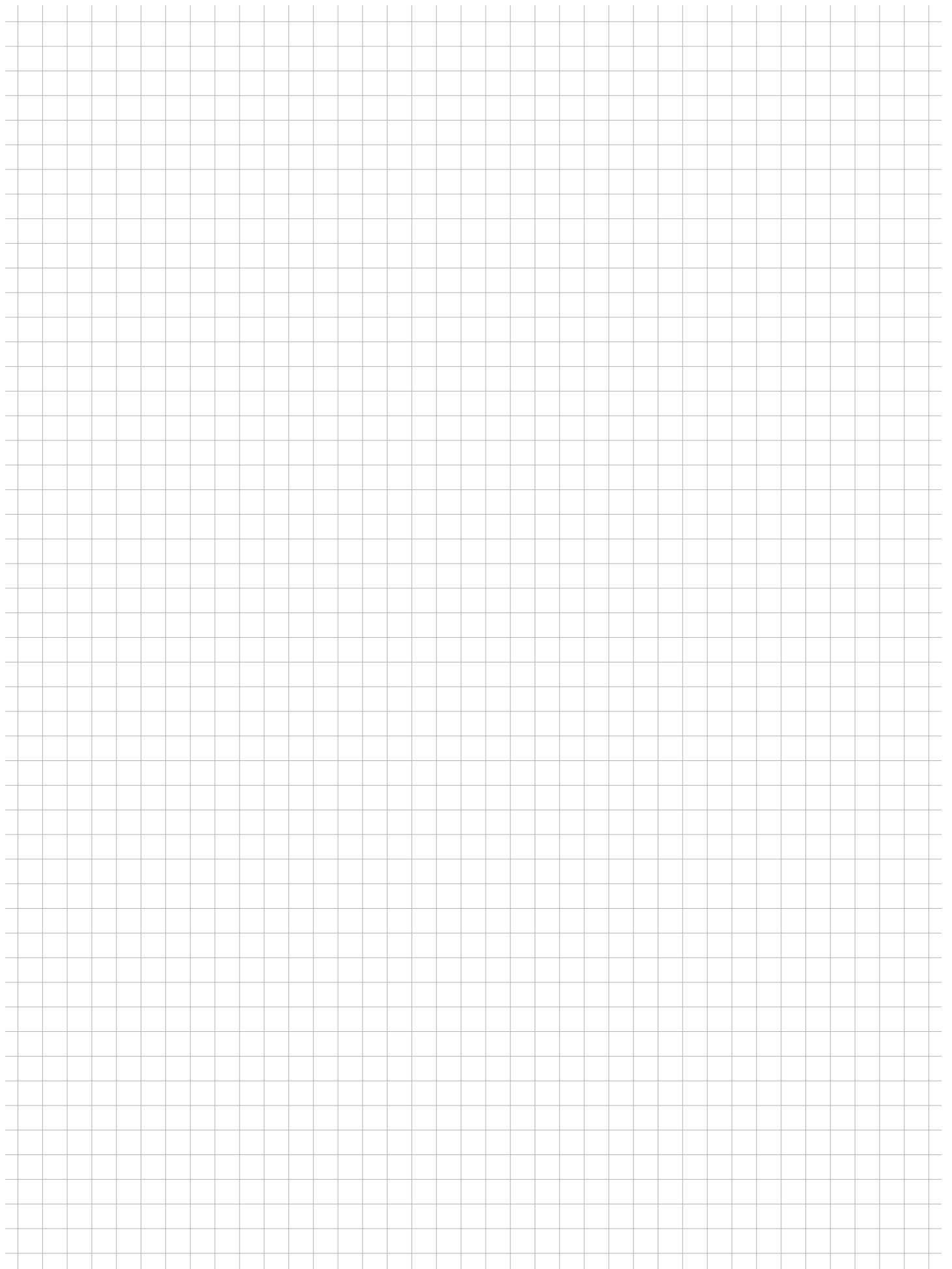
132S/M	230	265	300	4-Ø15	4,0	130	165	198	M10	3,5
160M/L	250	300	350	4-Ø19	5,0	180	215	250	M12	5,0
180M/L	250	300	350	4-Ø19	5,0					
200L	300	350	400	4-Ø19	5,0					
225S	4,8	350	400	450	8-Ø19	5,0				
225M	2	350	400	450	8-Ø19	5,0				
	4,6,8	350	400	450	8-Ø19	5,0				
250M	2	450	500	550	8-Ø19	5,0				
	4,6,8	450	500	550	8-Ø19	5,0				
280S/M	2	450	500	550	8-Ø19	5,0				
	4,6,8	450	500	550	8-Ø19	5,0				
315S/M/L	2	550	600	660	4-Ø24	6,0				
	4,6,8	550	600	660	4-Ø24	6,0				
355M/L	2	680	740	800	4-Ø24	6,0				
	4,6,8	680	740	800	4-Ø24	6,0				

## 12. Y SERIES - Spare parts

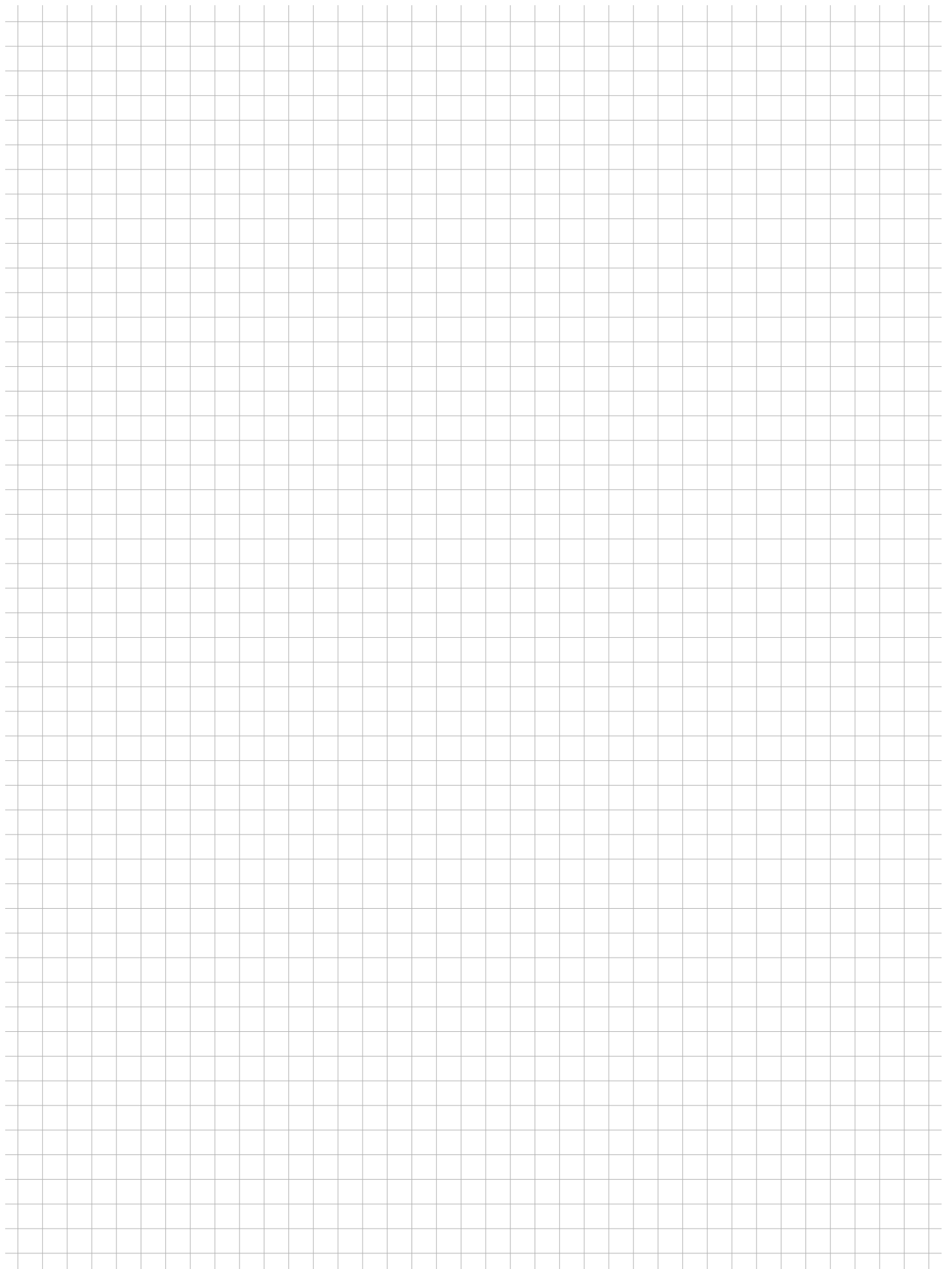


- |                               |                                      |                     |
|-------------------------------|--------------------------------------|---------------------|
| 1. Shaft cover                | 13. Terminal box                     | 25. B5 type housing |
| 2. V-ring                     | 14. Terminal box IP65 gasket         | 26. Flange B5       |
| 3. Endshields screws          | 15. Terminal box cover               | 27. Flange B14      |
| 4. Washer                     | 16. Terminal box cover fixing screws | 28. Oil seal        |
| 5. DE endshiel                | 17. Cable gland                      | 29. Shaft key       |
| 6. Bearing                    | 18. Axial spring                     |                     |
| 7. Shaft                      | 19. Fan cover fixing screws          |                     |
| 8. Rotor                      | 20. Cooling fan                      |                     |
| 9. Winding stator             | 21. Fan circlip                      |                     |
| 10. B3 type Housing           | 22. Fan cover                        |                     |
| 11. Terminal box bottomgasket | 23. Name plate                       |                     |
| 12. Terminal board            | 24. Name plate fixing screws         |                     |

NOTE:



NOTE:







<http://www.bermar.it>



<http://gplus.to/BerMarElectricMotors>



<https://www.facebook.com/BerMarElectricMotors>

